

AM/FM STEREO RECEIVER SX-1500TD

ROUND LABEL UNIT	FVZW	FW	KLW			
TUNER UNIT						
FM FRONT END	AWB-001	W11-028	W11-028			
FM IF UNIT	W12-032	W12-032	W12-032			
MPX UNIT	W13-026	W13-026	W13-026			
AM TUNER UNIT	W14-008	W14-008	W14-008			
MUTING UNIT	W18-026	W18-026	W18-026			
HEAD AMP UNIT	W21-001	W21-001	W21-001			
CONTROL AMP UNIT	W15-079	W15-079	W15-079			
MAIN AMP UNIT	W23-002	W23-002	W23-002			
POWER SUPPLY UNIT	W16-026	W16-026	W16-026			
SWITCH UNIT	W15-081	W15-081	W15-081			
SWITCH UNIT	W15-082	W15-082	W15-082			
SWITCH UNIT						
TONE COLOR UNIT						
CONTROL UNIT	W15-080	W15-080	W15-080			
MIC AMP UNIT	W15-106	W15-106	W15-106			
REVERBE AMP UNIT						
REVERBE UNIT						
INDICATOR UNIT	W18-012	W18-012	W18-012			



SX-1500TD for KLV model

SX-1500TD

- S₁ INPUT SELECTOR (S19-028)
 (1) AM (2) FM (3) PHONO 1 (CERAMIC)
 (4) PHONO 2 (5) PHONO 2 (6) AUX
 (7) FM AUTO (8) AUX
- S₂ MODE SELECTOR (S14-035)
 (1) STEREO REV (2) STEREO NORM
 (3) MONO L (4) MONO R
 (5) MONO L+R (6) MONO R+L
- S₃ OUTPUT SELECTOR (S11-031)
 (1) POWER OFF (2) SPEAKER A
 (3) SPEAKER B (4) SPEAKER C
 (5) SPEAKER A+B (6) SPEAKER A+C
 (7) SPEAKER A+B+C (8) SEPARATED
 (9) INTERCOUPLED

- S₄ PRE- & MAIN SELECTOR (S41-022)
 (1) SEPARATED (2) INTERCOUPLED

- (AM) (FM) (PHONO1) (PHONO 2) (AUX) (AUX)
 PLL SWAN BY 0.25A x 5
 BV 0.25A (SWAN)
 BV 0.38A x 4
 FUSE 1.5V 2.1A
 Blue
 Green
 Red
 White

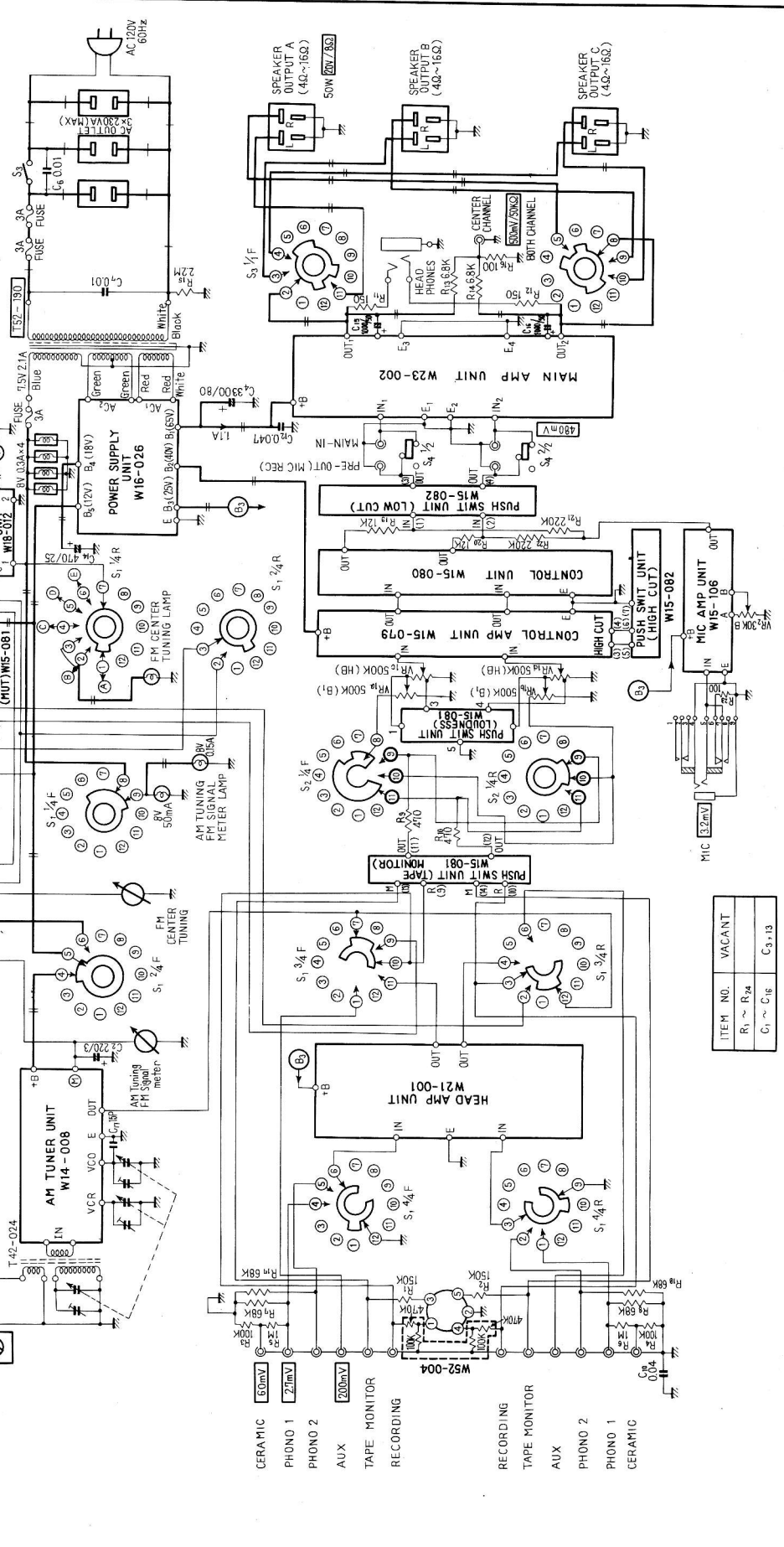
- POWER SUPPLY UNIT W16-026
 B₁ (12V) B₂ (6V) B₃ (6V) B₄ (6V) B₅ (6V)
 C₁ 3300/80 C₂ 0.047 C₃ 3300/80
 1.1A 480mV

- FM MPX UNIT W13-026
 MUTING UNIT W18-026
 IF UNIT W12-032
 AM TUNER UNIT W14-008
 VCR VCO E OUT
 T-42-024

- FM CENTER TUNING LAMP
 AM TUNING FM SIGNAL METER LAMP
 S₁ 3/4R
 S₁ 3/4R
 S₁ 3/4R
 S₁ 3/4R

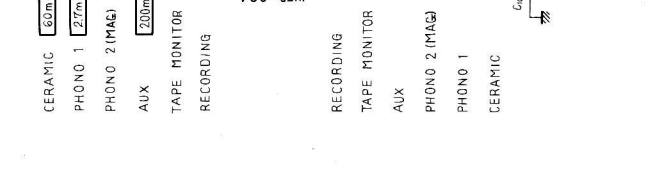
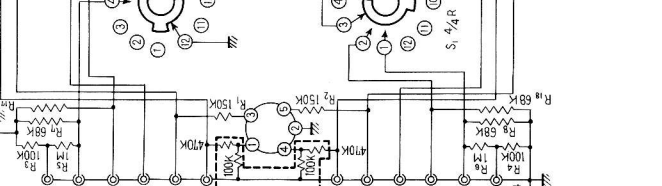
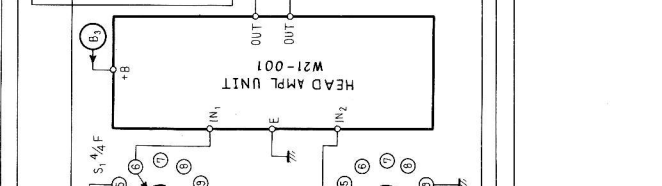
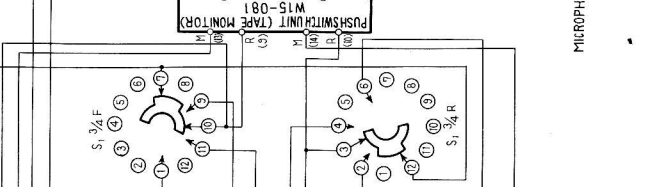
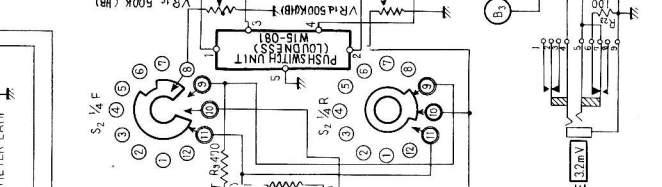
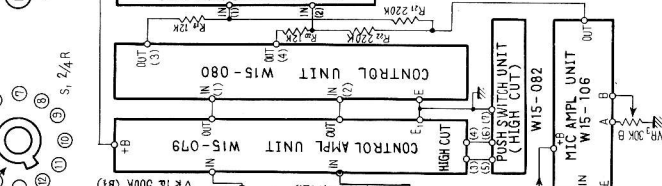
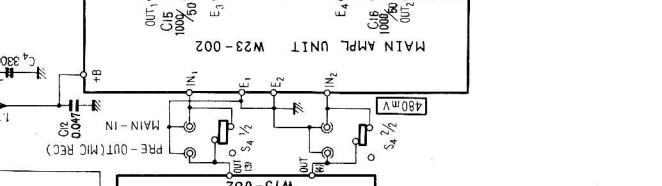
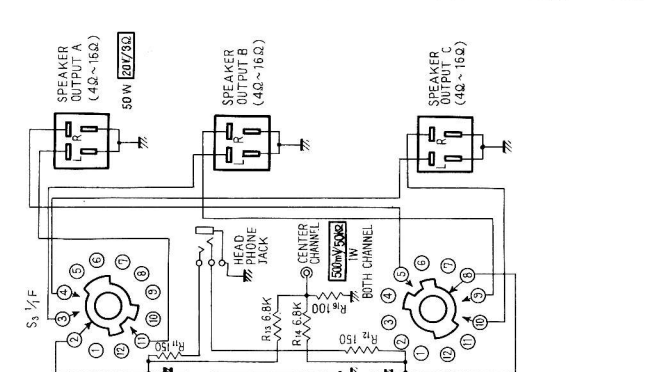
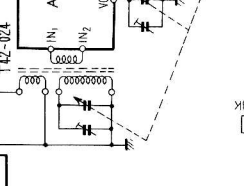
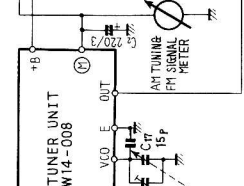
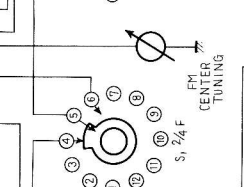
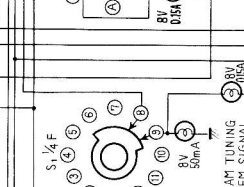
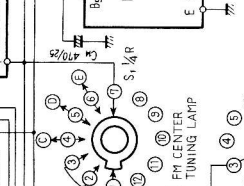
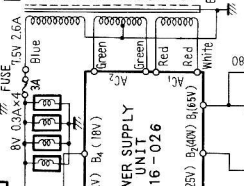
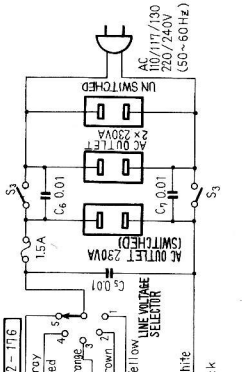
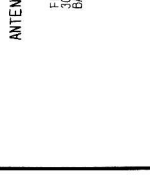
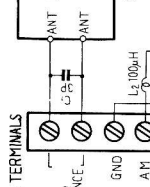
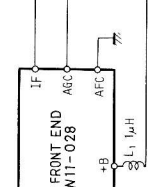
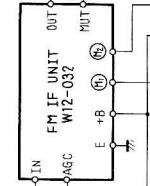
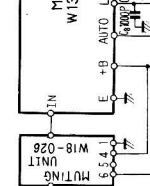
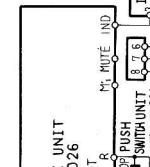
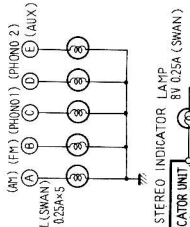
- HEAD AMP UNIT W21-001
 CONTROL AMP UNIT W15-079
 CONTROL AMP UNIT W15-080
 PUSH SWIT UNIT (LOW CUT) W15-082
 PUSH SWIT UNIT (TAP) W15-081 (MONITOR)
 PUSH SWIT UNIT (HIGH CUT) W15-082
 MIC AMP UNIT W15-106

- MAIN AMP UNIT W23-002
 SPEAKER OUTPUT A (4Ω~16Ω) 50W (20V-8Ω)
 SPEAKER OUTPUT B (4Ω~16Ω)
 SPEAKER OUTPUT C (4Ω~16Ω)



ITEM NO.	VACANT
R ₁ ~ R ₁₀	
C ₁ ~ C ₁₆	C ₃ + 13

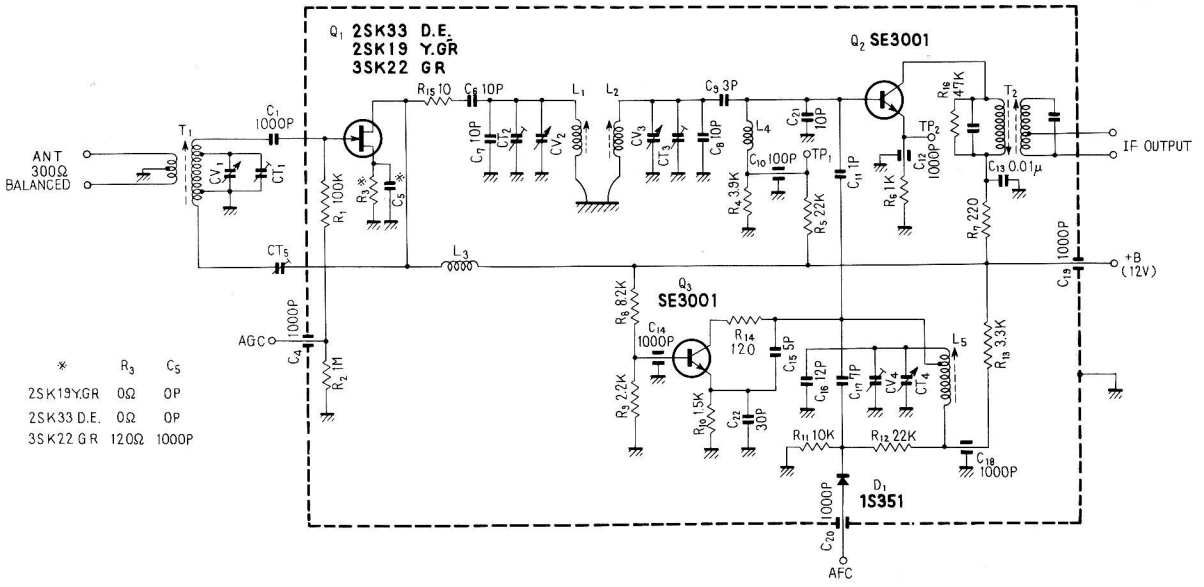
- S₁ INPUT SELECTOR**
 (1) AM (2) FM (3) PHONO 1 (CERAMIC)
 (4) FM (5) PHONO 2
 (6) FM AUTO (67) AUX
- S₂ MODE SELECTOR**
 (1) STEREO REV
 (2) STEREO NORM
 (3) MONO L
 (4) MONO R
 (5) MONO L+R
- S₃ OUTPUT SELECTOR**
 (1) POWER OFF
 (2) SPEAKER A
 (3) SPEAKER OFF
 (4) SPEAKER B
 (5) SPEAKER C
 (6) SPEAKER A+B
 (7) SPEAKER A+C
 (8) PRE & MAIN SELECTOR
- S₄ PRE & MAIN SELECTOR**
 (1) SEPARATED
 (2) INTERCOUPLED



FM FRONT END

FM FRONT END

AWB-001

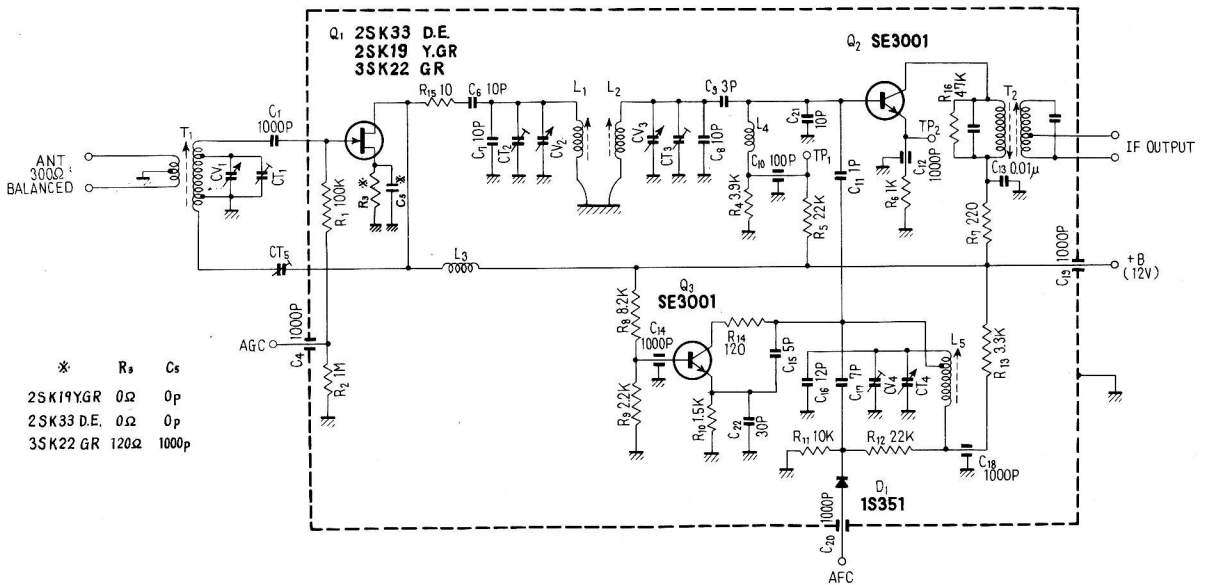


*	R ₃	C ₅
2SK19Y.GR	0Ω	0P
2SK33 D.E.	0Ω	0P
3SK22 G.R	120Ω	1000P

FM FRONT END for FW KLV model

FM FRONT END

W11-028

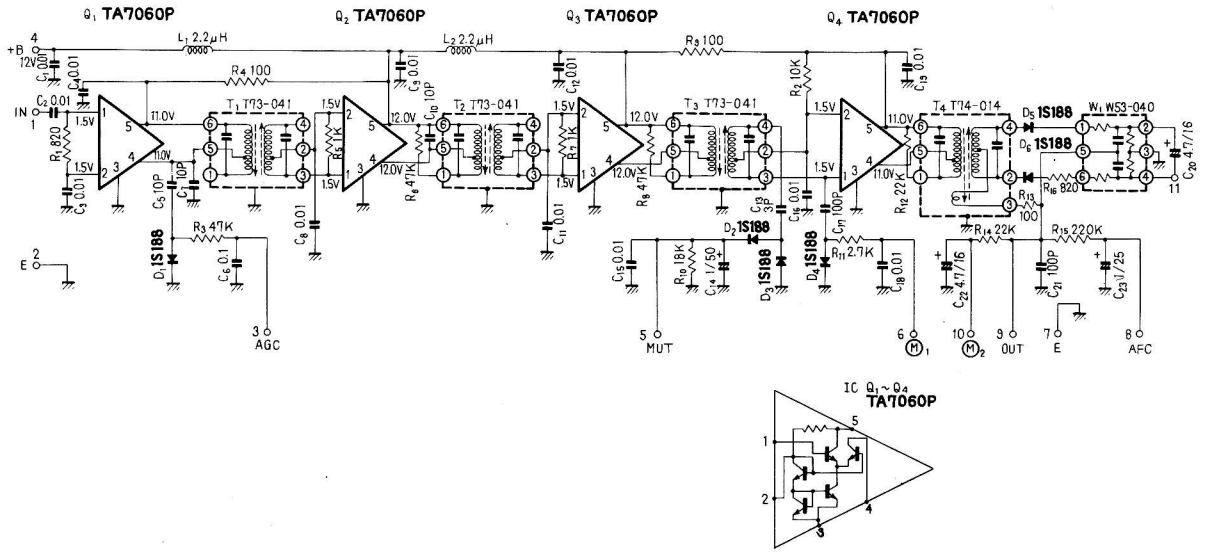


*	R ₃	C ₅
2SK19Y.GR	0Ω	0P
2SK33 D.E.	0Ω	0P
3SK22 GR	120Ω	1000P

FM IF UNIT

FM IF UNIT

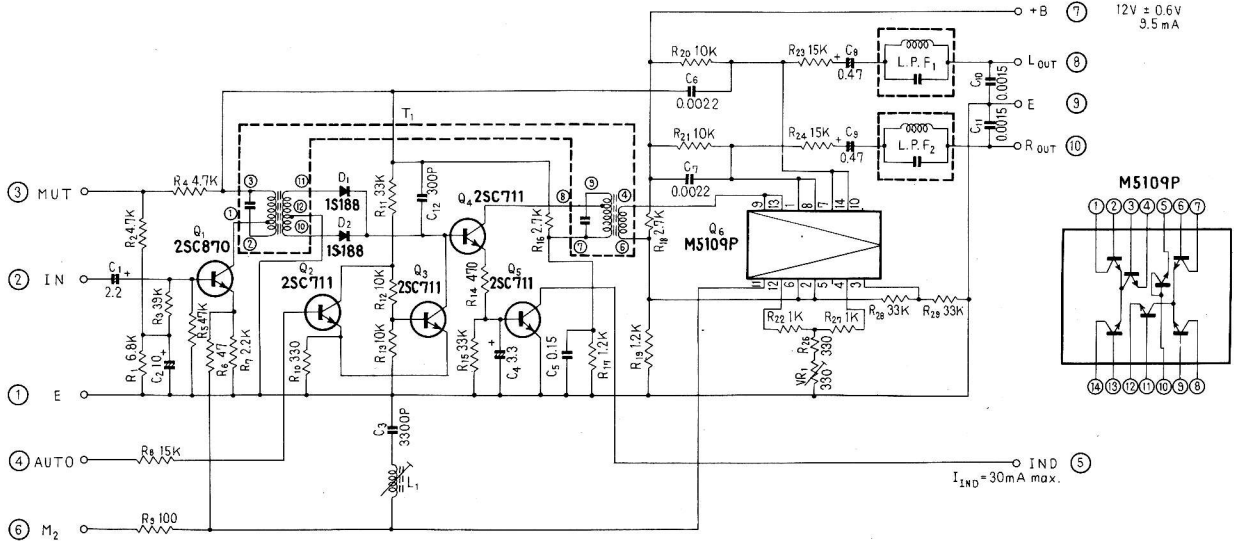
W12-032



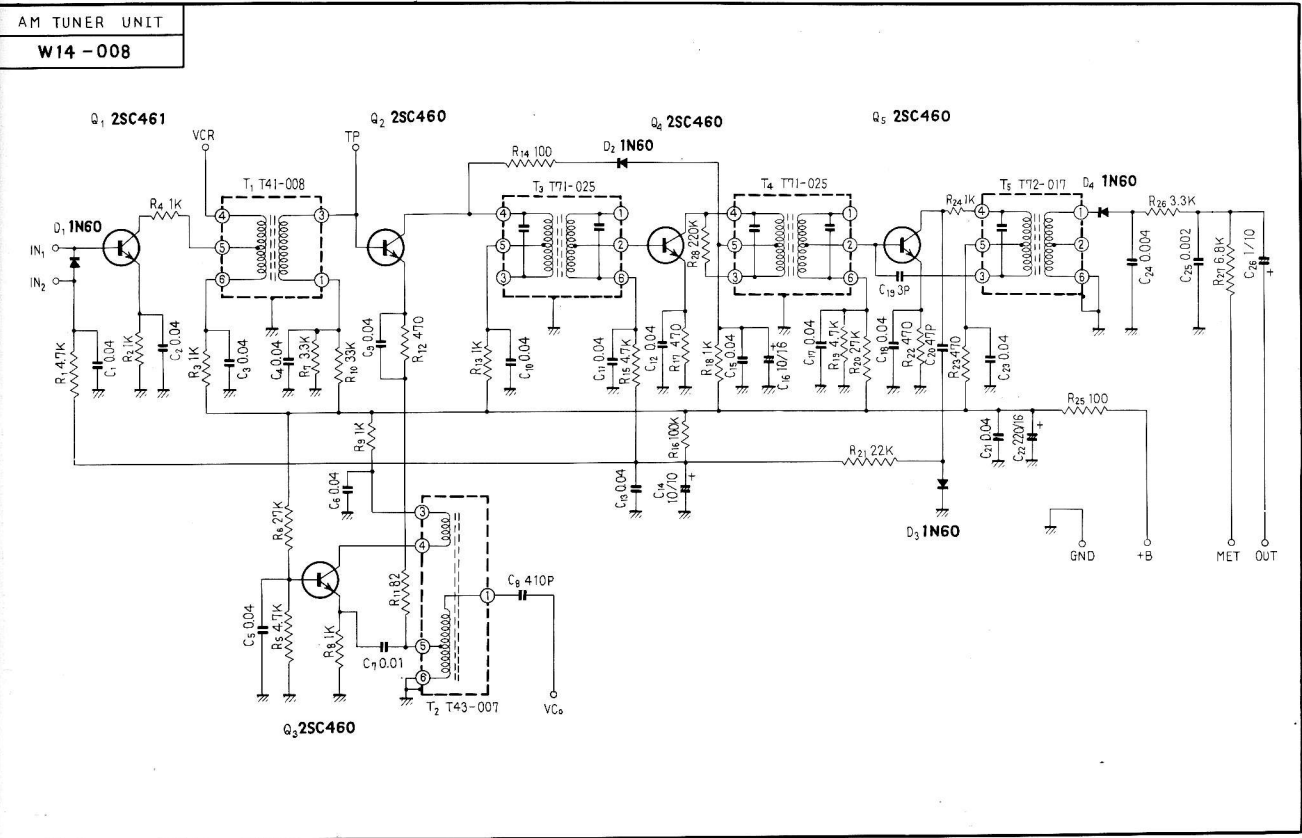
MPX UNIT

MPX UNIT

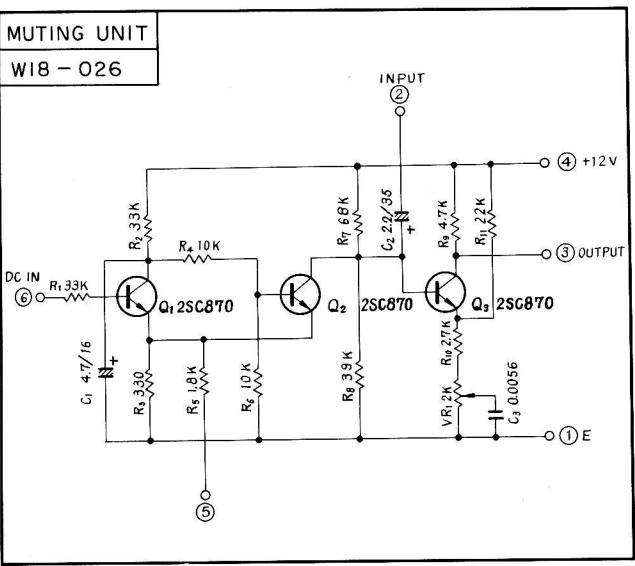
W13-026



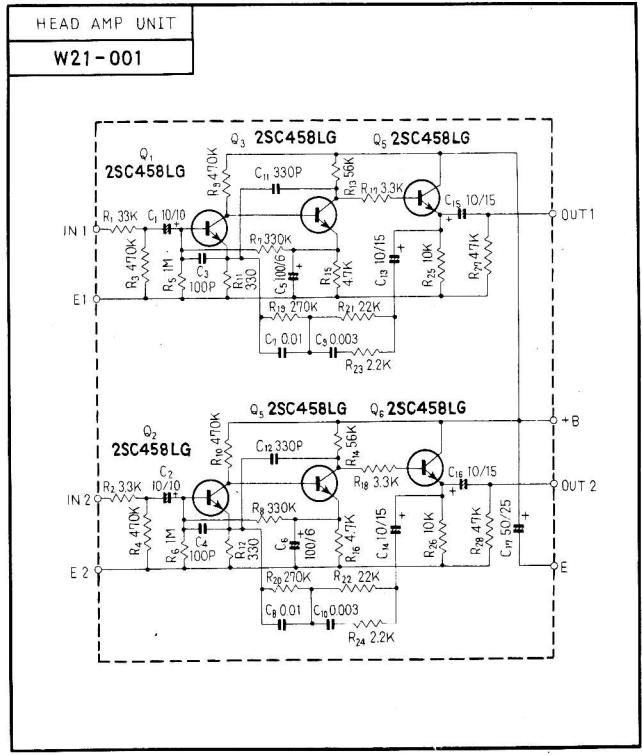
AM TUNER UNIT



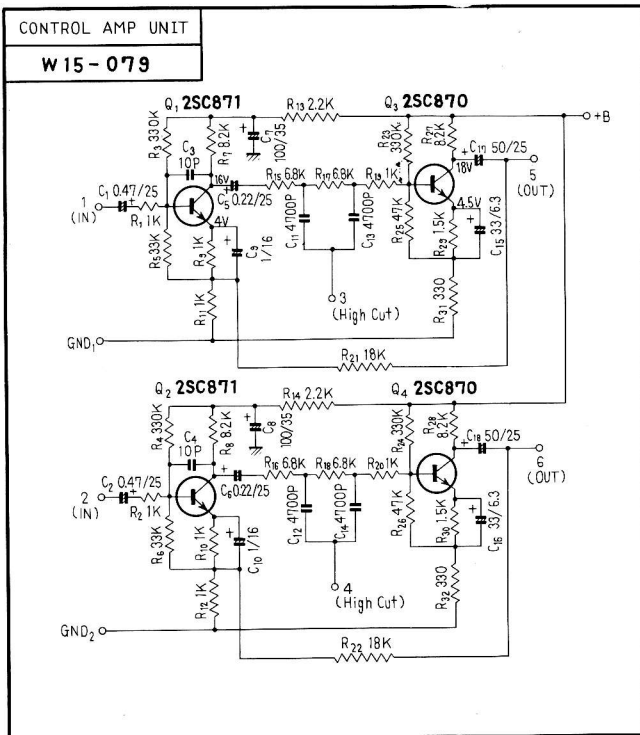
MUTING UNIT



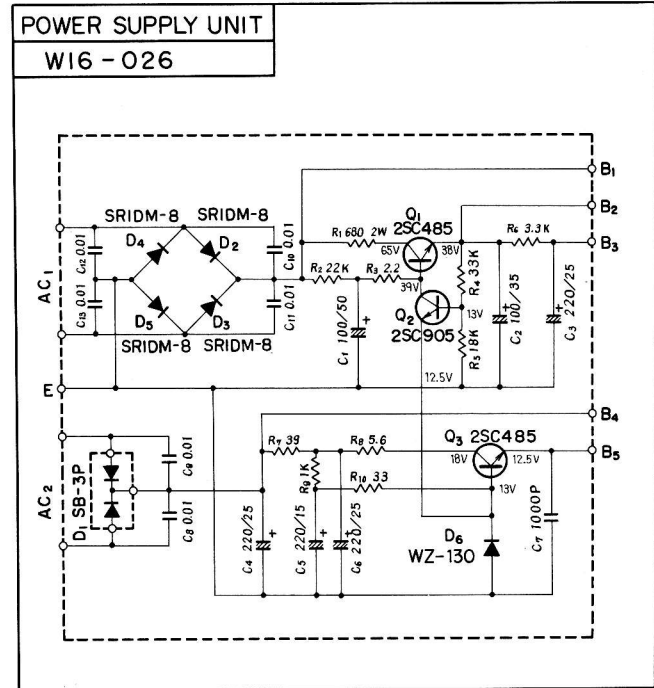
HEAD AMP UNIT



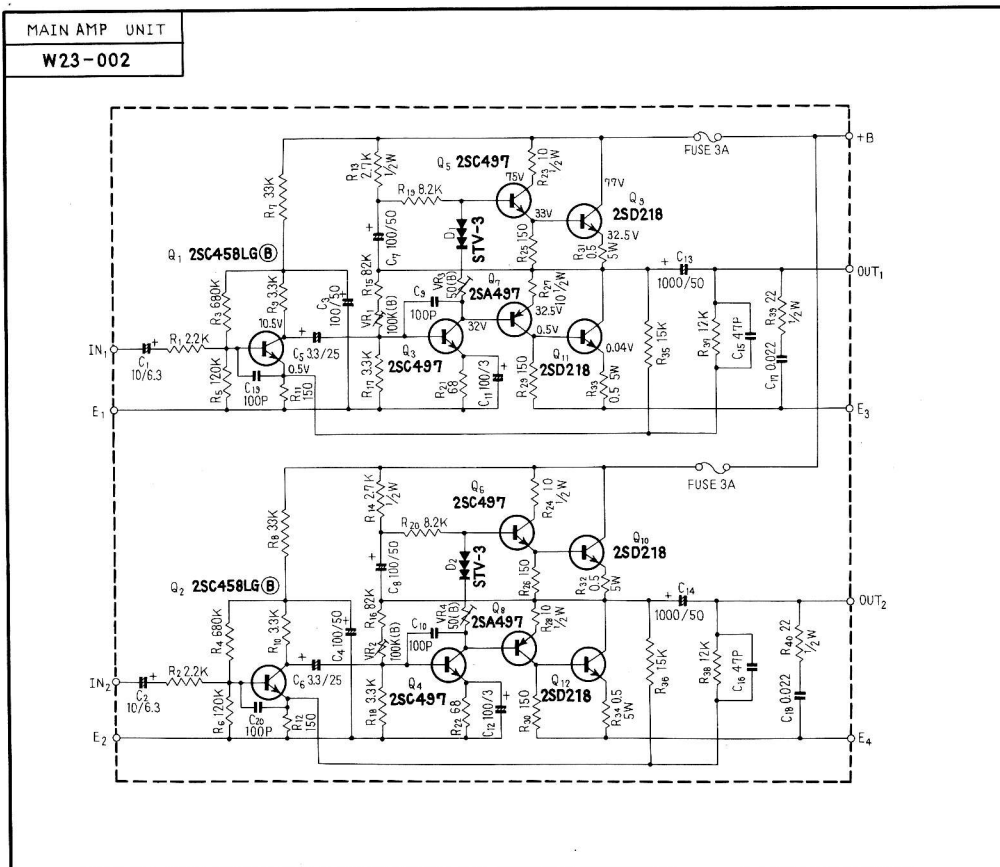
CONTROL AMP UNIT



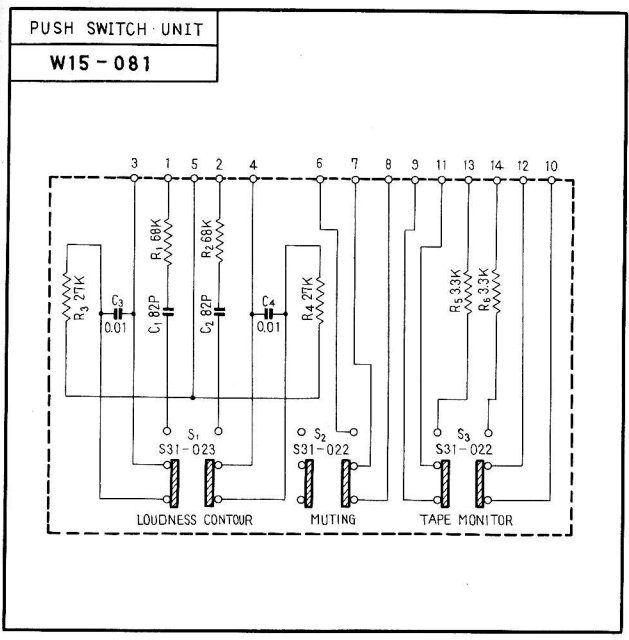
POWER SUPPLY UNIT



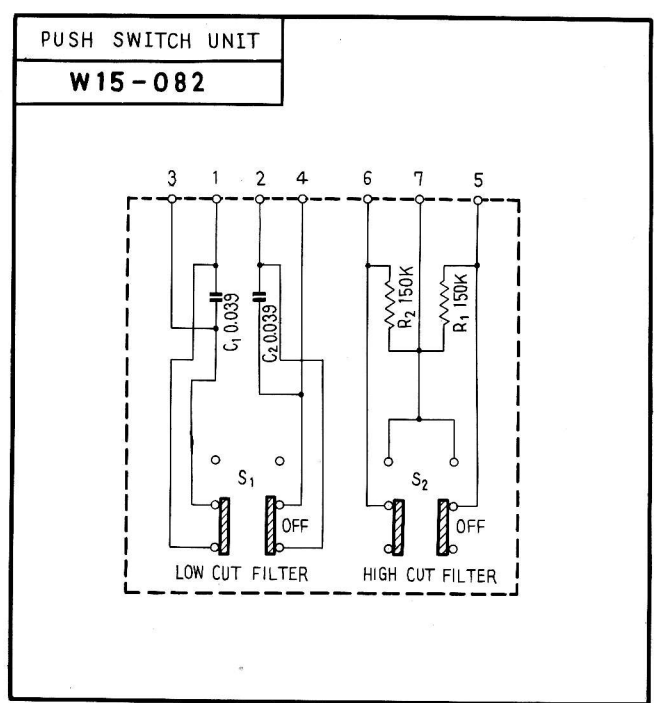
MAIN AMP UNIT



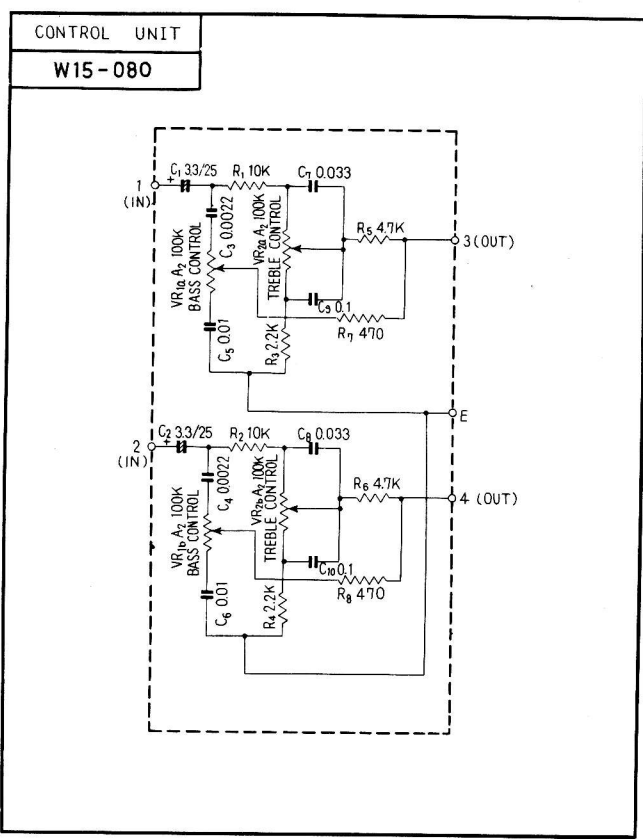
PUSH SWITCH UNIT



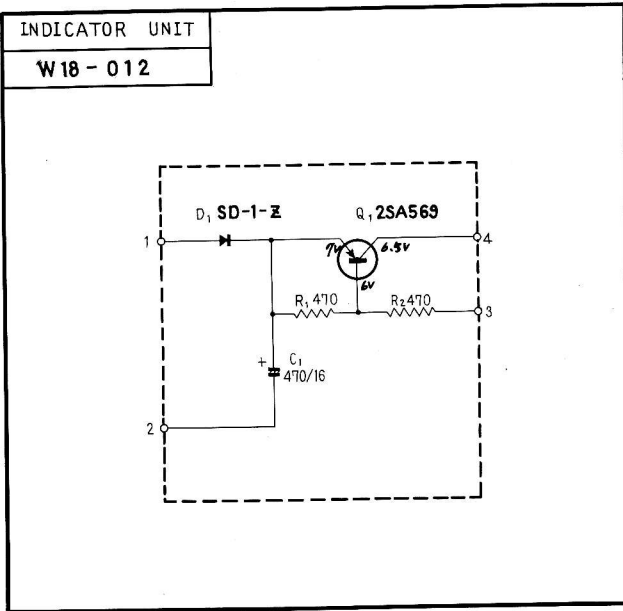
PUSH SWITCH UNIT



CONTROL UNIT



INDICATOR UNIT



MIC AMP UNIT

