

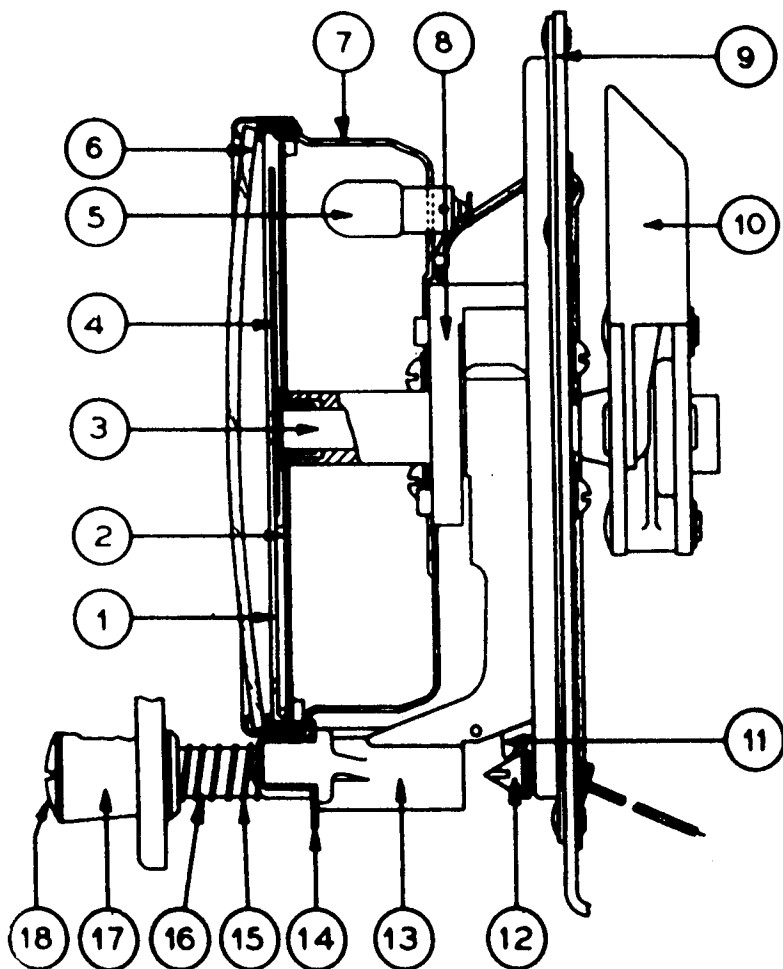
# CONCENTRIC TUNING DIAL

Illustrations of the **Cone-Centric Automatic Tuning Unit** are shown in Figures 1, 2 and 3 below.

Figure 1 shows a side cutaway view of the complete unit. Figure 2 is a cross section view of the selector arm showing the audio shorting switch, silent tuning pawl and stator cone.

Figure 3 is a bottom cross section view of the selector arm showing the audio shorting switch (29) and indexing plunger (25).

The parts in each view are numbered. These numbers correspond to those given in the "Fig. No." column of the Parts List, page 6.



SIDE CUTAWAY VIEW OF  
CONE-CENTRIC AUTOMATIC TUNING UNIT

Fig. 1